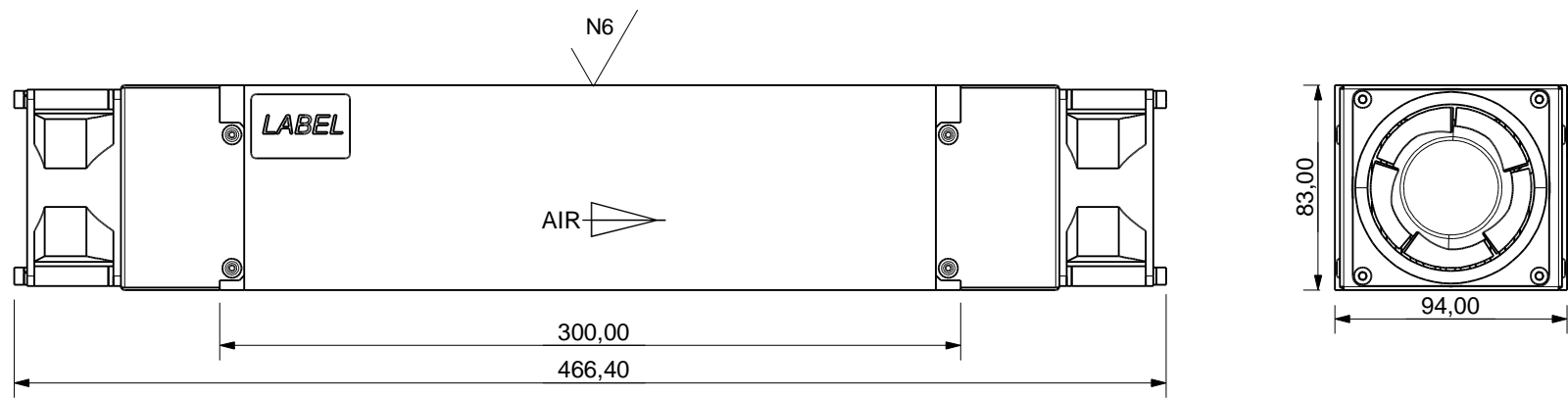


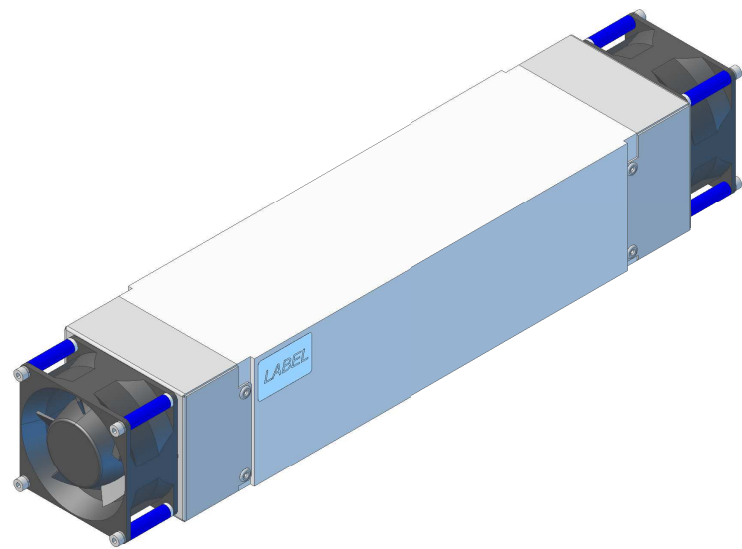
1 2 3 4 5 6

A



B

C



Reference RTH=0.1272 K/W.

D

| | | | | | | | | | | | | | | | | | |
|---|--|---------------------------|--------------|----------------|-----------------|------------------|-------------------|-------------------|-------------|---------------------|----------------|----------------------------|--|-----------------------------|--|---------|--|
| ESCALA 1:3 | | INDICE DE TOLERANCIAS | | | | LONGITUDINALES | | | | ANGULARES | | | | RECTIFICADORES GUASCH, S.A. | | | |
| | | 0,5-6 +0,1 | 6-30 +0,2 | 30-120 +0,3 | 120-400 +0,5 | 400-1000 +0,8 | 1000-2000 +1,2 | 2000-4000 +2 | 0-10 +5' | 10-50 +10' | 50-120 +20' | 120-400 +30' | COMPONENTES Y ELECTRONICA DE POTENCIA | | | | |
| Fecha: 09.09.16 | | Nombre: Jordi Joan Argemí | | Dib. 09.09.16 | | Comp. 09.09.16 | | Jordi Joan Argemí | | Jordi Joan Argemí | | Plano num. RGM160649 | | HOJA: 01/01 | | EDI: 01 | |
| NOMBRE PIEZA/COMPONENTE. OBSERVACIONES. | | | | | | | | | | CONJUNTO DISIPACIÓN | | SV-8556N-RG42080L12/300AFR | | | | | |

1 2 3 4 5 6