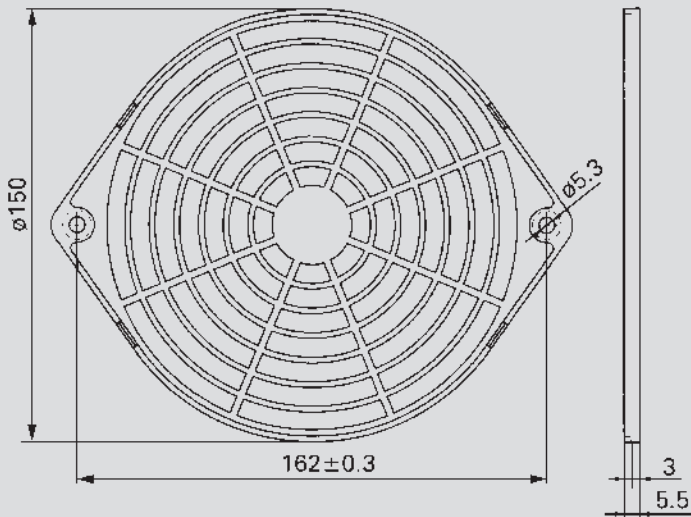
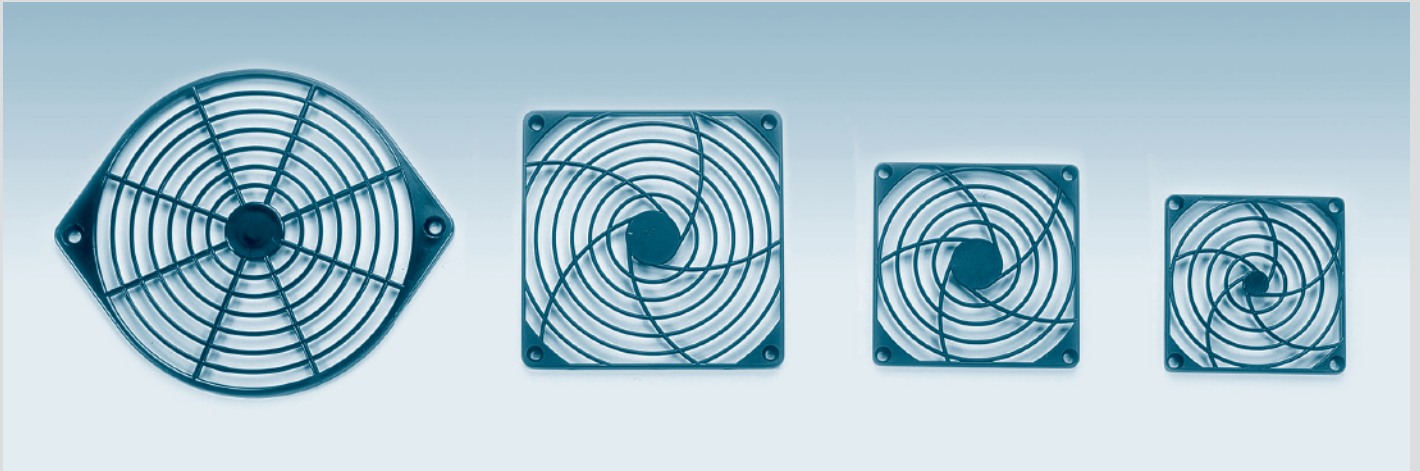


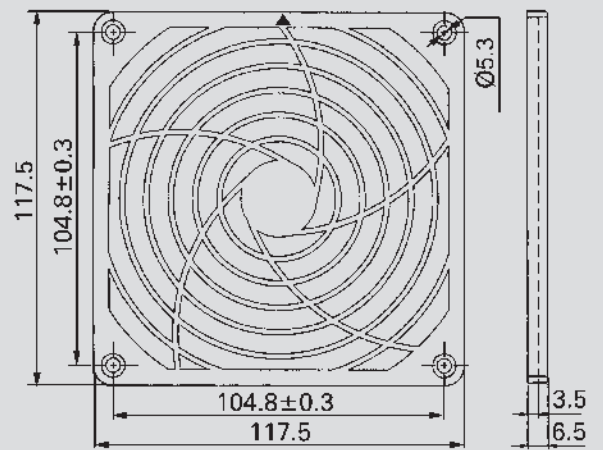
# ACCESSORIES

## Plastic Guard (PC)

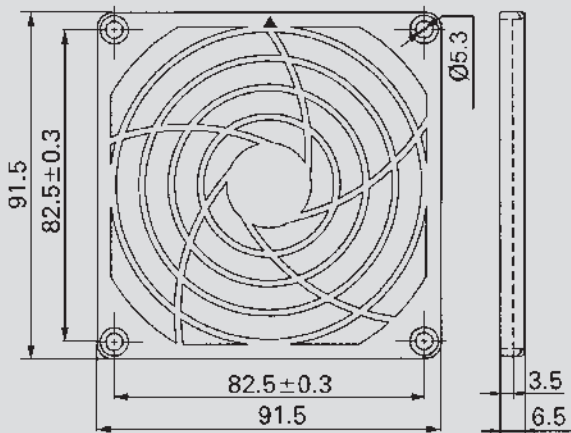
Unit: mm



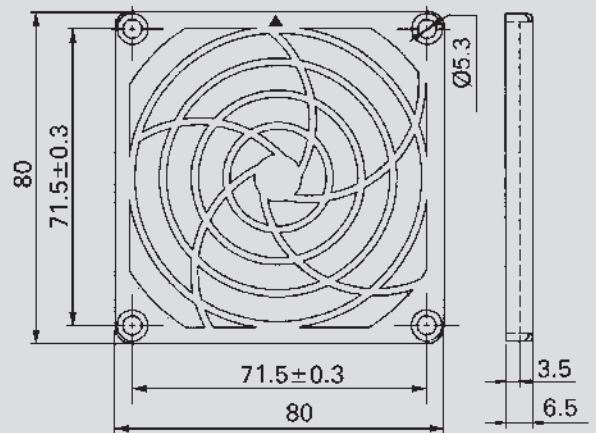
PG-15 (For UF15P, 17P, 15PC,  
17PC, 15AC, 15KC Series)  
\*Plastic



PG-12 (For UF12A, 12B Series)  
\*Plastic



PG-92 (For UF92A, 92AM, 92B Series)  
\*Plastic



PG-80 (For UF80A, 80B Series)  
\*Plastic