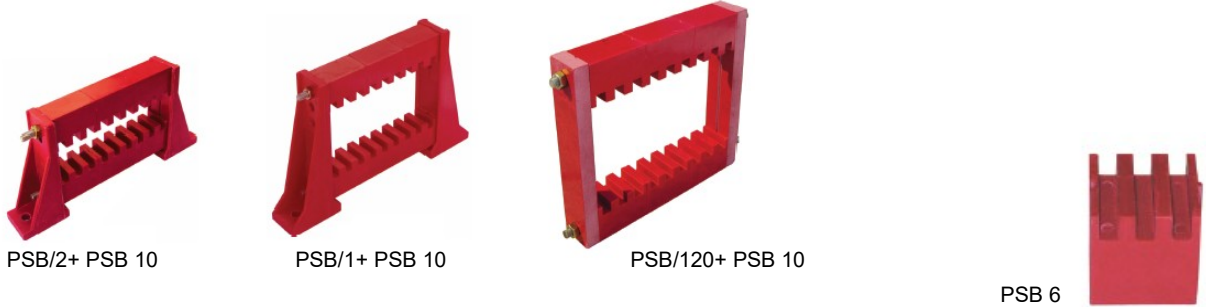


ADVANCED TECHNICAL INFORMATION

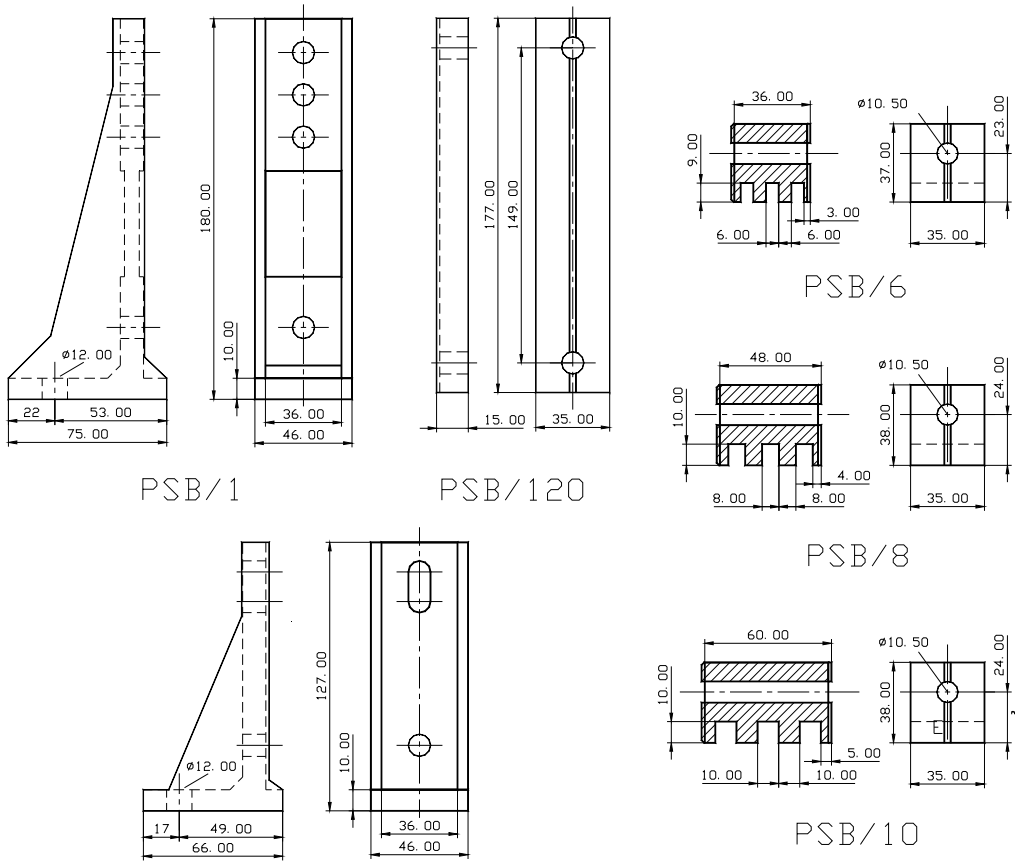
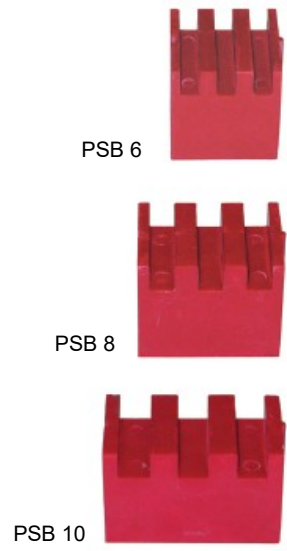
**PSB series.** Modular assembleable vertical rodholders. Suitable for single and parallel rods with normalized dimensions from 40x6 mm to 120x10 mm.

To implement a rodholder are needed 2 lateral supports + the necessary number of blocks required according the rod distribution.



AVAILABLE REFERENCES, DRAWINGS AND DIMENSIONS

| Rod dimensions [mm]    | Support Type | Vertical Support Type |
|------------------------|--------------|-----------------------|
| 40x6 / 50x6            | PSB 6        |                       |
| 40x8 / 50x8            | PSB 8        | PSB/2                 |
| 40x10 / 50x10          | PSB 10       |                       |
| 60x6 / 80x6 / 100x6    | PSB 6        |                       |
| 60x8 / 80x8 / 100x8    | PSB 8        | PSB/1                 |
| 60x10 / 80x10 / 100x10 | PSB 10       |                       |
| 120x6                  | PSB 6        |                       |
| 120x8                  | PSB 8        | PSB/120               |
| 120x10                 | PSB 10       |                       |

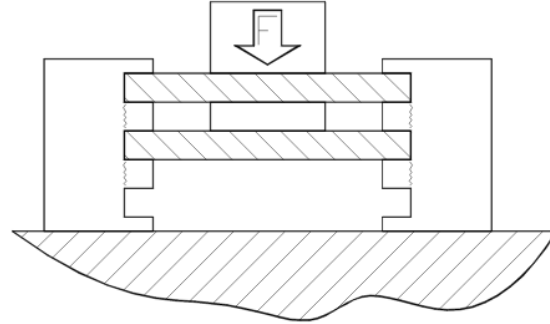


**PSB SERIES TECHNICAL CHARACTERISTICS**

| Working voltage | Operating temperature | Fire reaction | Breaking charge              | Water absorption |
|-----------------|-----------------------|---------------|------------------------------|------------------|
| 1000 V          | -40°C +130°C          | UL94-VO class | Tolerance ±10%<br>see figure | <0.2%            |

**RUPTURE BEGINNING DUE HOLD THEET FLEX**

|        |         |
|--------|---------|
| PSB/6  | 950 kg  |
| PSB/8  | 1130 kg |
| PSB/10 | 1375 kg |



**INSULATING MATERIAL CHARACTERISTICS (POLYGLASS)**

| Property                   | Standard    | Value                 |
|----------------------------|-------------|-----------------------|
| Flexural strength          | ISO R 178   | 80 N/mm <sup>2</sup>  |
| Flexural modulus           | ISO 178     | 7 GPa                 |
| Impact strength            | ISO 179     | 25 kJ/m <sup>2</sup>  |
| Hot deflection temperature | ISO 75      | > 200 °C              |
| Hardness                   | UNI 4278    | 80 HRM                |
| Linear shrinkage           | ISO 2577    | 0.18%                 |
| Flammability               | UL 94       | VO >3mm               |
| Dielectric strength        | IEC 60243-1 | 12 kV/mm              |
| Tracking resistance        | IEC 60112   | CTI >600 -0.0         |
| Arc resistance             | ASTM D495   | >180 s                |
| Density                    | ISO 1183-1  | 1.8 g/cm <sup>3</sup> |
| Water absorption           | ISO 62      | <0.2 %                |
| Color                      | RAL         | RAL 3002 (red)        |



Our Polyester insulators are in conformity with DIRECTIVE 2006/95/EC (Electrical equipment designed for use within certain voltage limits). Directive 2006/95/EC is a codifying Directive which brings together in one text the "original" Low Voltage Directive 73/23/EEC6 with its subsequent amendments. Directive 2006/95/EC came into force and repealed Directive 73/23/EC as from 16th January 2007. The Directive applies to all electrical equipment designed for use with a voltage rating of between 50 and 1000 V for alternating current and between 75 and 1500 V for direct current. The CE marking is placed on the electrical equipment or, where this is not practically possible, on the packaging.



This polyester insulators are molded of Underwriters Laboratories Incorporated recognized flame-resistant fiberglass-reinforced polyester molding compound.



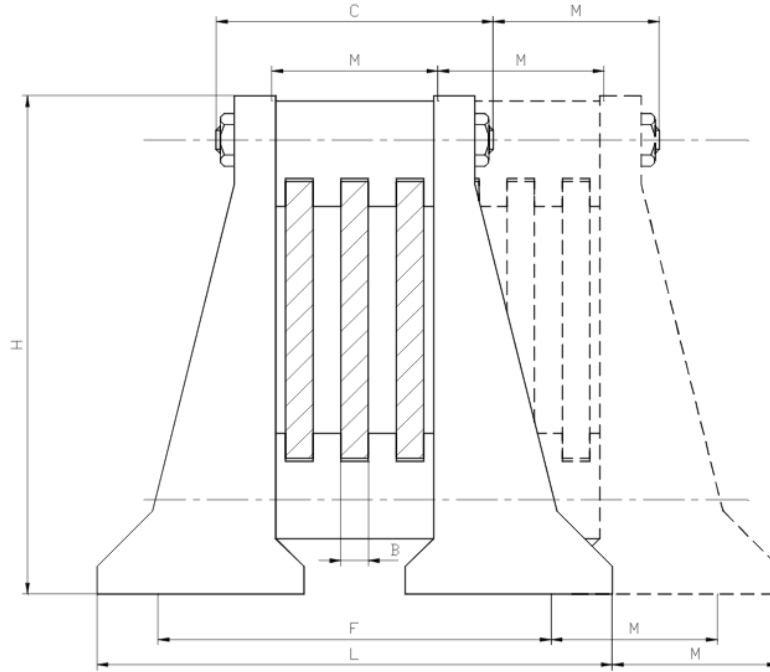
Conformity according to EN 45545 part 2 : Railway application- Fire protection on railway vehicles - Part 2: Requirements for fire behaviour of materials and components.

Test results :

Spread of flame : HL3 / Smoke : HL2 / Toxicity : HL3 / Heat release : HL2 / Final classification : HL2

**TYPICAL ASSEMBLIES AND DIMENSIONS**

As a modular solution user can combine PSB/6, PSB/8 and PSB/10 vertical supports with PSB/1, PSB/2 and PSB/120 rodholders. Following you will find several examples with mechanical dimensions for typical assemblies.



| Fig. | Num. Blocks | Rod Thickness | C   | L     | L     | F   | H     | H     | M  |
|------|-------------|---------------|-----|-------|-------|-----|-------|-------|----|
|      |             |               |     | PSB/1 | PSB/2 |     | PSB/1 | PSB/2 |    |
| 1    | 1           | 6             | 90  | 162   | 152   | 118 | 177   | 127   | 36 |
|      | 1           | 8             | 100 | 174   | 164   | 130 | 177   | 127   | 48 |
|      | 1           | 10            | 110 | 186   | 176   | 142 | 177   | 127   | 60 |
| 2    | 2           | 6             | 120 | 198   | 188   | 154 | 177   | 127   | 36 |
|      | 2           | 8             | 156 | 222   | 212   | 178 | 177   | 127   | 48 |
|      | 2           | 10            | 160 | 246   | 236   | 202 | 177   | 127   | 60 |
| 3    | 3           | 6             | 160 | 234   | 224   | 190 | 177   | 127   | 36 |
|      | 3           | 8             | 194 | 270   | 260   | 226 | 177   | 127   | 48 |
|      | 3           | 10            | 230 | 306   | 293   | 262 | 177   | 127   | 60 |
| 4    | 4           | 6             | 194 | 270   | 260   | 226 | 177   | 127   | 36 |
|      | 4           | 8             | 242 | 318   | 308   | 274 | 177   | 127   | 48 |
|      | 4           | 10            | 290 | 366   | 356   | 322 | 177   | 127   | 60 |
| 5    | 5           | 6             | 230 | 306   | 296   | 262 | 177   | 127   | 36 |
|      | 5           | 8             | 290 | 366   | 356   | 322 | 177   | 127   | 48 |
|      | 5           | 10            | 350 | 426   | 416   | 382 | 177   | 127   | 60 |
| 6    | 6           | 6             | 270 | 342   | 332   | 298 | 177   | 127   | 36 |
|      | 6           | 8             | 338 | 414   | 404   | 370 | 177   | 127   | 48 |
|      | 6           | 10            | 410 | 486   | 476   | 442 | 177   | 127   | 60 |

(All values in mm.)

FIG 1

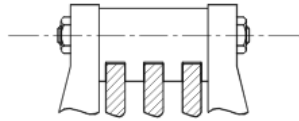


FIG 2

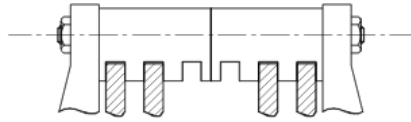


FIG 3

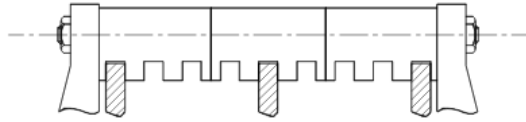


FIG 4

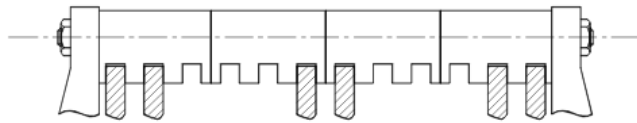


FIG 5

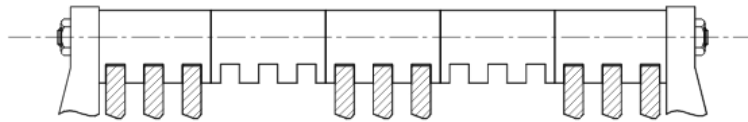
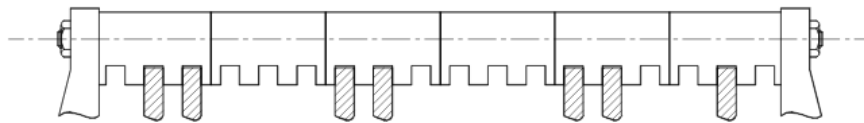


FIG 6



**ANOTACIONES EN LA HOJA DE ESPECIFICACIONES:**

RECTIFICADORES GUASCH, S.A.U. utiliza la siguiente anotación para identificar el estado del producto, en el lado izquierdo de la primera página:

**Preliminary Technical Information:** El producto se encuentra en proceso de diseño y desarrollo. La información presenta los datos del producto pero algunas características pueden cambiar.

**Advanced technical information:** El producto se encuentra totalmente diseñado y las características se refieren a la fabricación en serie.

**Sin anotación:** Los parámetros del producto están fijados y se suministra de acuerdo con las especificaciones publicadas.

Los datos indicados en esta publicación corresponden a especificaciones de producto, queda excluida cualquier garantía expresa o implícita sobre sus propiedades o su aplicación, así como cualquier responsabilidad sobre daños directos o indirectos producidos por los materiales o resultantes de su aplicación. La empresa se reserva el derecho de realizar cambios en las especificaciones de los productos sin previo aviso. La información respecto a métodos de uso y aplicaciones se indica sólo como guía y no constituye garantía alguna de funcionamiento satisfactorio en un determinado equipo o aplicación. Es responsabilidad del usuario determinar la idoneidad del producto para su aplicación utilizando la información disponible y asegurarse de que la misma esta actualizada.

Cualquier nombre de producto o marca usada en esta publicación corresponde a marcas depositadas, marcas registradas o nombres protegidos por sus respectivos propietarios.

**DATASHEET ANNOTATIONS:**

RECTIFICADORES GUASCH, S.A.U. annotate datasheets in the left corner of the front page, to indicate product status:

**Preliminary Technical Information:** The product is in design and development. The datasheet represents the product as it is understood but details may change.

**Advanced Technical Information:** The product design is complete and final characterisation for volume production is well in hand.

**No Annotation:** The product parameters are fixed and the product is available to datasheet specification.

The technical data are to specify components, not to guarantee their properties.No warranty or guarantee expressed or implied is made regarding delivery or performance. The Company reserves the right to alter without prior notice the specification of any product. Information concerning possible methods of use is provided as a guide only and does not constitute any guarantee that such methods of use will be satisfactory in a specific piece of equipment. It is the user's responsibility to fully determine the performance and suitability of any equipment using such information and to ensure that any publication or data used is up to date.

All brand names and product names used in this publication are trademarks, registered trademarks or trade names of their respective owners.

© RECTIFICADORES GUASCH, S.A.U.  
DOCUMENTACION TECNICA, TECHNICAL DOCUMENTATION  
PRODUCIDO EN ESPAÑA, PRODUCED IN SPAIN  
PROHIBIDA SU VENTA, NOT FOR SALE

**Your Needs, Our Solutions**