

CARACTERISTICAS

- Fácil montaje
- Bajo coste
- Fiabilidad a largo plazo
- Material UL 94 V-0
- Plazo de entrega reducido

HIGHLIGHTS

- Easy mounting
- Low cost
- Long term reliability
- UL 94 V-0 material
- Short delivery time

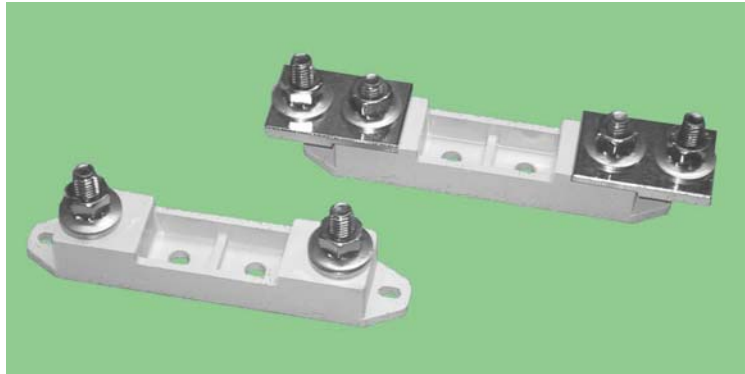


Photo non-contractual

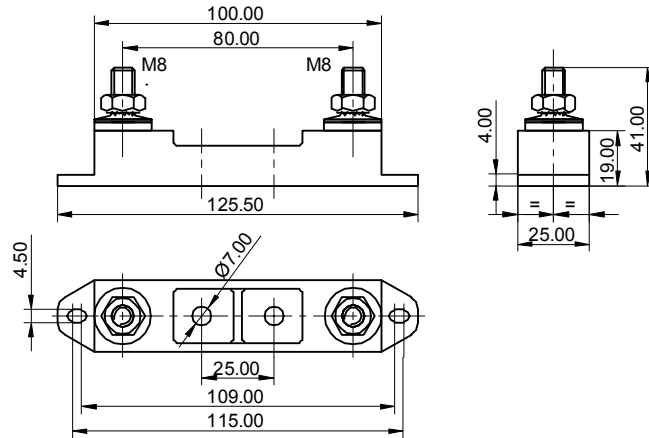
CARACTERISTICAS / CHARACTERISTICS	
Aplicación / Application	Para fusibles DIN80, talla 00 y 000 / For DIN80 fuses, size 00 & 000
Color / Colour	Gris RAL7035 / Grey RAL7035
Densidad / Density	1,25g/cm ³
Peso / Weight	SCBFDIN80: Aprox. 98 grs
	SCBFDIN80L: Aprox. 204 grs

CARACTERISTICAS DEL MATERIAL / MATERIAL CHARACTERISTICS	
Propiedades mecánicas / Mechanical properties	
Módulo elástico a tracción / Tensile modulus	3300 Mpa (ISO 527)
Carga de rotura / Stress at break	45 Mpa (ISO 527)
Alargamiento de rotura / Strain at break	7,0% (ISO 527-2)
Módulo elástico a flexión / Flexural strenght	95 Mpa (ISO 178)
Resistencia al fuego / Fire Behaviour	
Inflamabilidad / Flammability	1,5 mm / V-0 (UL 94) E-136722
Propiedades térmicas / Thermal properties	
Índice relativo de temperatura (UL) / Relative temperature index (UL)	120 °C (UL 746B)
Conductividad térmica / Thermal conductivity	0,21 W/mK (ISO 8302)
Propiedades eléctricas / Electrical properties	
Rigidez dieléctrica / Dielectric strength	18 kV / mm (IEC 60243-1)
Factor de disipación / Dissipation factor	0,01 @1MHz (IEC 60250)
Resistividad volumétrica / Volume resistivity	10 ¹⁵ Ohms/m. (IEC 60093)
Resistividad superficial / Surface resistivity	10 ¹⁵ Ohms (IEC 60093)
índice CTI / CTI index	175 (IEC 60112)

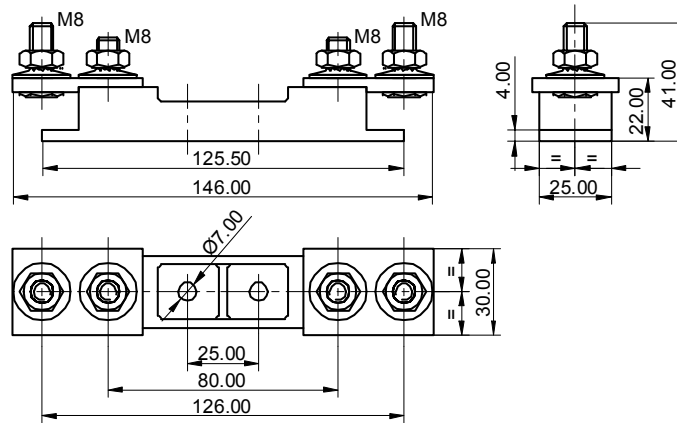
SISTEMA DE FIJACION / FIXING SYSTEM	
Tornillos M4 (montaje en disipador / M4 threads (heatsink mounting))	Para tornillo M4 / For M4 screw Par de apriete / Mounting torque :2,5 Nm
Montaje en panel / Panel mounting	Para tornillo M6 / For M6 screw Par de apriete / Mounting torque :5 Nm
Fusible / Fuse	Rosca M8 / M8 thread
Cable (sólo en el tipo "L") / Wire (only in "L" type)	Par de apriete / Mounting torque :13 Nm

080122 Rev.:0

DIMENSIONES / DIMENSIONS



SCBFDIN80

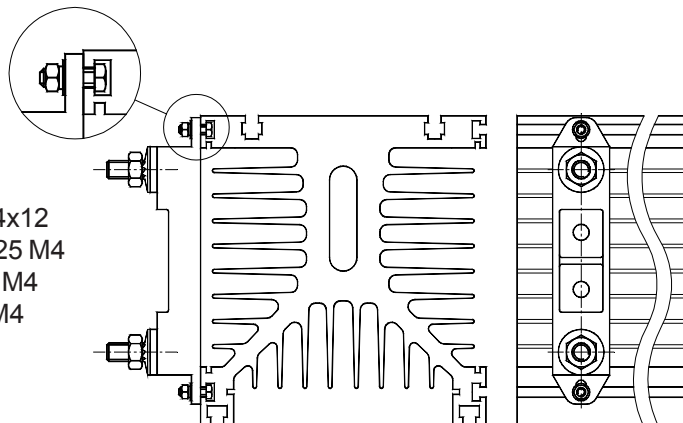


SCBFDIN80L

EJEMPLO DE MONTAJE EN DISIPADOR / HEATSINK MOUNTING EXAMPLE

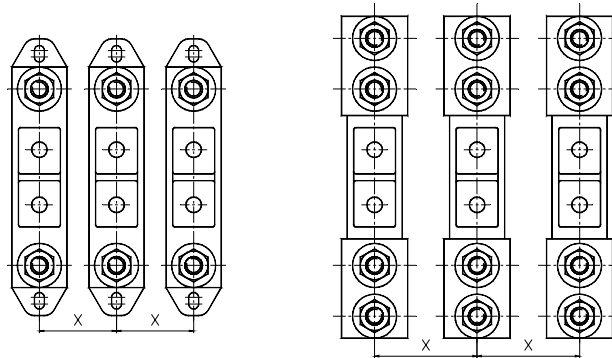
EJEMPLO / EXAMPLE

- Tornillo DIN933 M4x12 / DIN931 screw M4x12
- Arandela DIN 125 M4 / Plain washer DIN 125 M4
- Grover DIN 7980 / lock washer DIN 7980 M4
- Tuerca DIN 934 M4 / Hex nut DIN 934 M4



080122 Rev.:0

SEPARACION MINIMA RECOMENDADA / MINIMUM RECOMMENDED SEPARATION



TIPO / TYPE	Tension de trabajo / Working voltage		
	400 V	550 V	690 V
SCBFDIN80 (000)	X=25	X=35	X=39
SCBFDIN80 (00)	X=35	X=45	X=49
SCBFDIN80L (00 & 000)	X=46,5		

Cost Effective Products

SEMICODE ELECTRONICA

offers to the market a comprehensive range of products from recognized manufacturers at the best price/quality relationship, this products are provided with a basic reference code that allows maintaining the same product reference even if the original device manufacturer is replaced. SEMICODE product reference has to be considered as a generic brand.

Seeking the market needs and trends, we are constantly increasing the product portfolio with new products and suppliers, please ask for the updated information available to our local contacts.

SEMICODE products include semiconductors, passive components and accessories focused in power electronics market.

Datasheet Annotations:

SEMICODE ELECTRONICA annotate datasheets in the top left hard corner of the front page, to indicate product status. The annotations are as follows:

Tentative information: This is the most tentative form of information and represents a very preliminary specification. No actual design work on the product has been started.

Preliminary Information: The product is in design and development. The datasheet represents the product as it is understood but details may change.

Advance Information: The product design is complete and final characterisation for volume production is well in hand.

No Annotation: The product parameters are fixed and the product is available to datasheet specification.

NOTICE: The technical data are to specify components, not to guarantee their properties.No warranty or guarantee expressed or implied is made regarding delivery or performance. The Company reserves the right to alter without prior notice the specification of any product. Information concerning possible methods of use is provided as a guide only and does not constitute any guarantee that such methods of use will be satisfactory in a specific piece of equipment. It is the user's responsibility to fully determine the performance and suitability of any equipment using such information and to ensure that any publication or data used is up to date.

All brand names and product names used in this publication are trademarks, registered trademarks or trade names of their respective owners.

© SEMICODE ELECTRONICA 2008. TECHNICAL DOCUMENTATION – NOT FOR RESALE

080122 Rev.:0