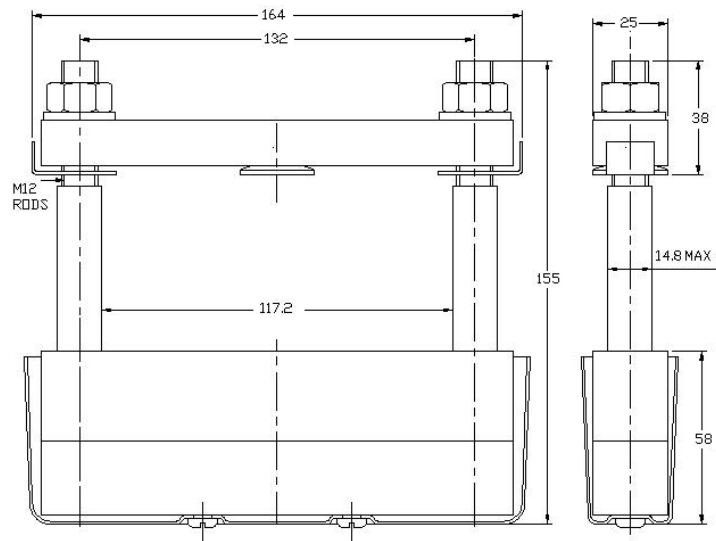


Weight 1700g

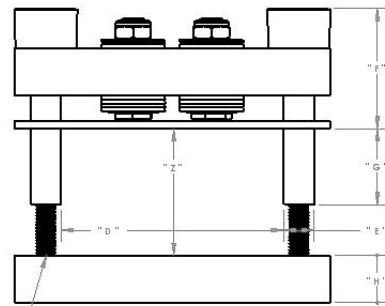
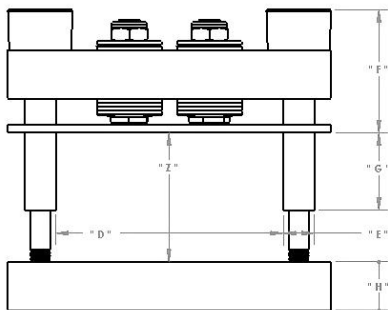
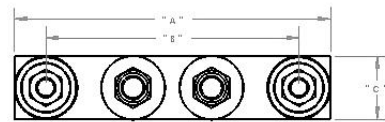
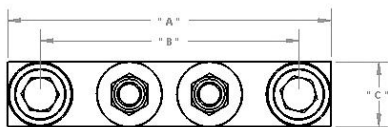
Device family	Clamp part number	Clamp force	T_{JMAX}	Maximum allowed height	Outline
		kgf	°C	mm	
Phase Control Thyristors (N), Fast Turn-off Thyristors (P) and Distributed Gate Thyristors (R) ZC Housing	XK4000SA116M	4000	190	59	WC39
	XSK3800Dx112M038	3200	190	38	WC61/WC63
	XSK3800Dx112M044			44	
	XSK3800Dx112M050			50	
	XSK3800Dx112M057			57	
	XSK3800Dx112M063			63	
	XSK3800Dx112M069			69	
	XSK3800Dx112M076			76	
	XSK3800Dx112M082			82	
	XSK3800Dx112M088			88	
	XSK3800Dx112M095			95	
	XSK3800Dx112M101			101	
	XSK3800Dx112M107			107	
	XSK3800Dx112M114			114	
	XSK3800Dx112M120			120	

XK4000SA116ML



WC39

XSK3800Dx112



WC61 – DA Style

WC63 – DF Style

Dimensions (mm)

- A – 165.02
- B – 132.00
- C – 25.40
- C1 – 36.00
- D – 112.00
- H – 25.40

Force [kgf]	" E "	" F " (ref)	Bolt Type
2800	16.56	68.83	M10
3200	16.56	68.83	M10
3800	16.56	70.41	M10
4500	16.56	71.99	M10

Part #'s	" Z " min	" Z " max	" G " (ref)			
			02800	03200	03800	04500
XSK xxxxx xx 112 M 038	31.75	38.10	24.13	29.21	29.46	29.97
XSK xxxxx xx 112 M 044	38.10	44.45	27.17	32.25	32.51	33.02
XSK xxxxx xx 112 M 050	44.45	50.80	30.22	35.05	35.56	36.06
XSK xxxxx xx 112 M 057	50.80	57.15	33.27	38.10	38.60	39.11
XSK xxxxx xx 112 M 063	57.15	63.50	36.06	41.14	41.65	41.91
XSK xxxxx xx 112 M 069	63.50	69.85	39.00	44.19	44.70	44.95
XSK xxxxx xx 112 M 076	69.85	76.20	42.16	47.24	47.49	48.00
XSK xxxxx xx 112 M 082	76.20	82.55	45.21	50.29	50.54	51.05
XSK xxxxx xx 112 M 088	82.55	88.90	48.26	53.08	53.59	54.10
XSK xxxxx xx 112 M 095	88.90	95.25	51.05	56.13	56.64	56.89
XSK xxxxx xx 112 M 101	95.25	101.60	54.10	59.18	59.69	59.94
XSK xxxxx xx 112 M 107	101.60	107.95	57.15	62.23	62.48	62.99
XSK xxxxx xx 112 M 114	107.95	114.30	60.19	65.27	65.53	66.04
XSK xxxxx xx 112 M 120	114.30	120.65	63.24	68.07	68.58	69.08